

USER MANUAL

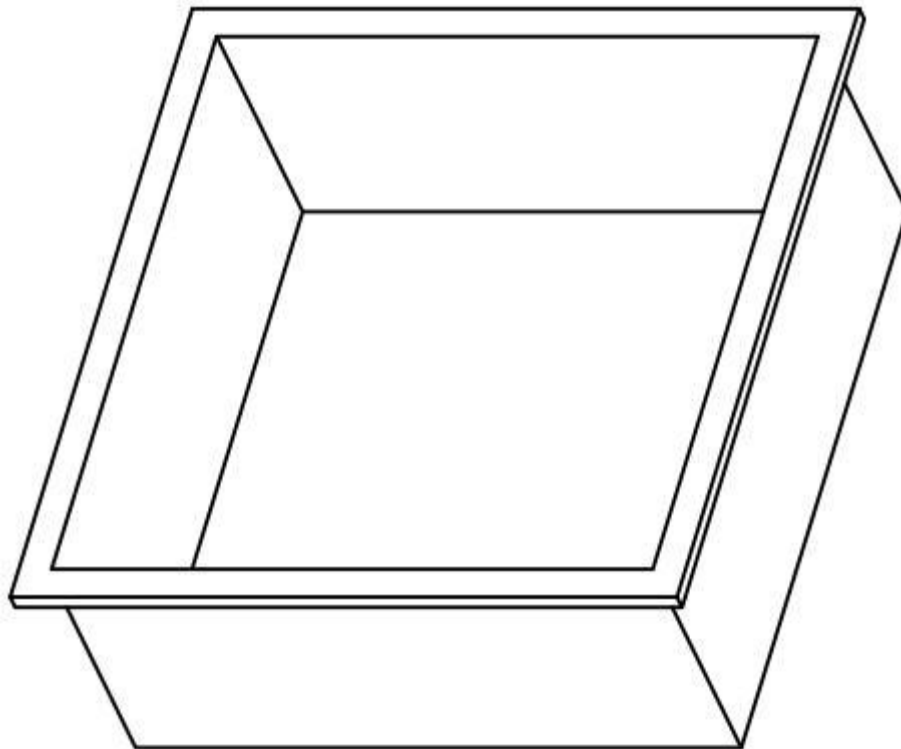


Thank you for choosing Better Bathrooms.
Please read this manual before installing your product
and keep for future reference.

better 
bathrooms

Brushed Brass/ Matt Black Shower Niche 305 x 305mm- Arissa

ARIBB350/ ARIMB350



- **Single-person assembly**
- **Tools required**
- **We always recommend using professional tradespeople to install your product**

V1_04.11.2024

Congratulations on your purchase

And welcome to our growing gang of savvy shoppers

We're on a mission to bring you extraordinary bathroom products, for less. From modern to traditional style ceramics, plus the gorgeous fixtures, fittings and furniture to match. So, you can fall in love with your space every single day.

As one of the UK's largest independent bathroom stores, we've received countless awards; including the National Business Awards UK, the Digital Entrepreneur Awards and being placed on The Sunday Times Fast Track 100.

We hope your new product goes above and beyond your expectations. However, should any problems occur, please:

- log in to your account and contact our customer services team via your self-serve portal – betterbathrooms.com/CustomerAccount/Login
- contact us via betterbathrooms.com/content/contact-us

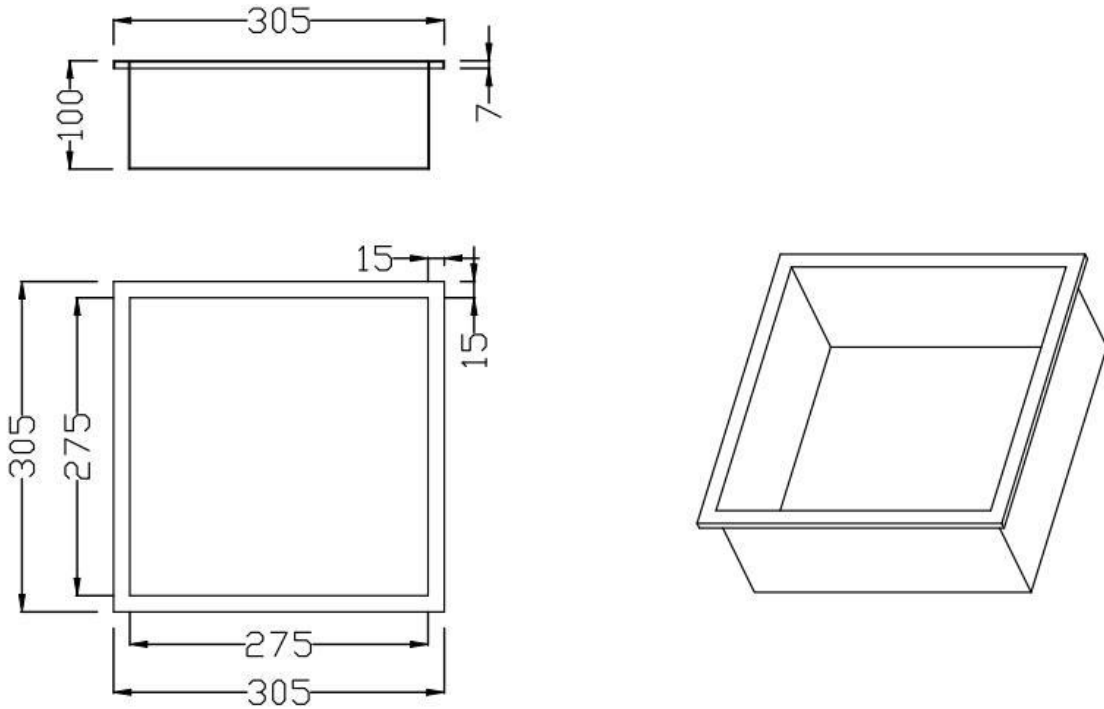
Important information

- Please read these instructions thoroughly and retain for future reference
- Always check for pipes and cables before drilling

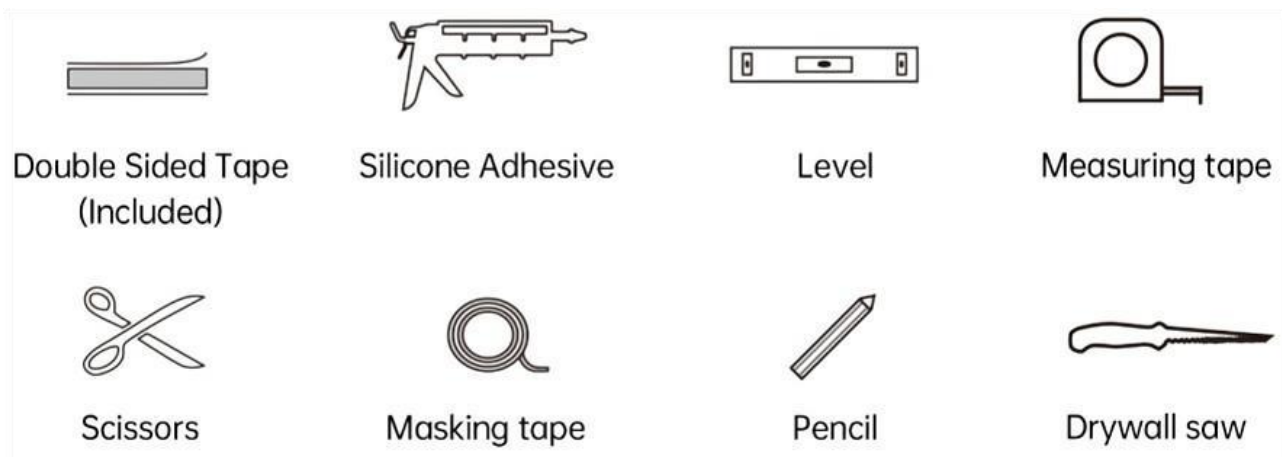
Component including

1. Niche
2. Cutout template
3. Double sided tape

Technical Drawing

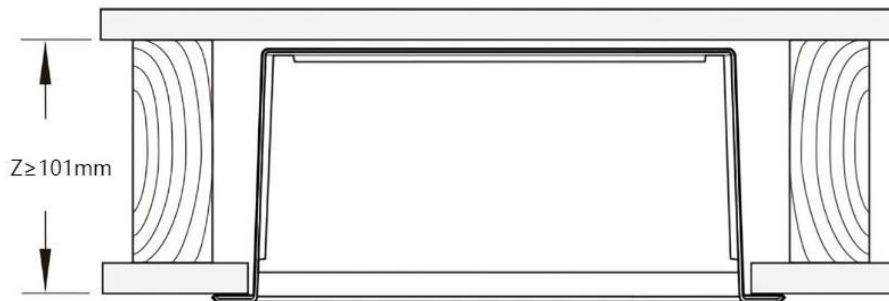


Tools Required



Installation Notices

• The niche requires that the section of the wall has a minimum depth of 101mm to be installed.



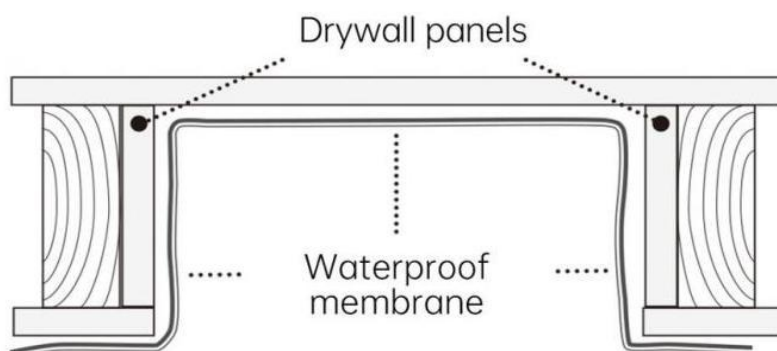
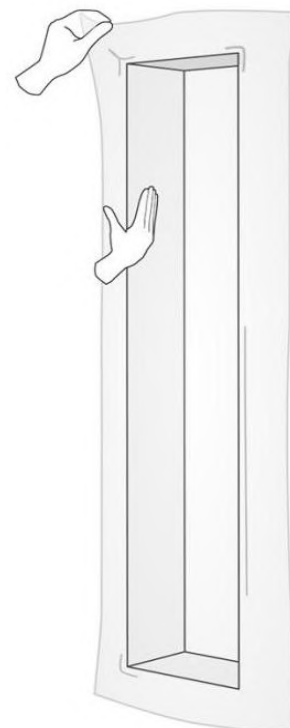
Installation Instructions

Step 1

• Trace the opening to be cut by cutout template. Ensure that the tracing is leveled. Cut this section of the wall out with a drywall knife or grinder in the case of a tiled surface.

Step 2 (optional)

• To ensure an optimal waterproofing, it is recommended to install drywall panels on each side of the opening (while respecting cutout template) and glue a waterproof membrane inside.



Step 3

- Using the double sided tape provided. Apply the tapes at the back of the niche edge and ensure to position them toward the inside of the alcove.

Tip: Before the next step, test the alcove inside the opening to make sure that the dimensions are correct.

Step 4

- Remove the remaining protective film from the double sided tape. Apply silicone adhesive all around the alcove.

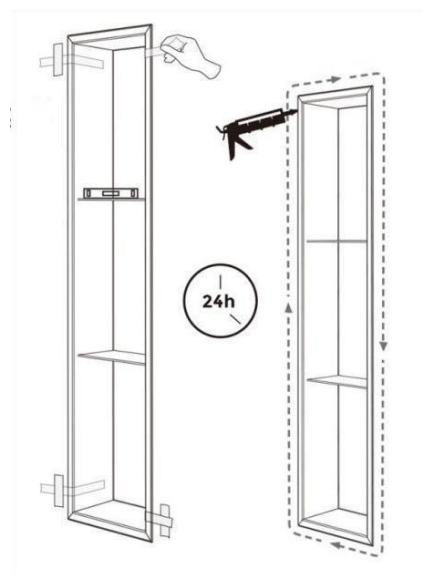
Step 5

- Pull off the protective film. Carefully insert the alcove into the opening, making sure that it is level and that a proper pressure is applied to allow the double sided tape and silicone to adhere.

Tip: Clean the silicone excess only when fully dry.

Step 6

- Use masking tape to hold the alcove in the place against the wall. Once the silicone is fully dry, remove the masking tape and seal the alcove all around with silicone.



Maintenance guide

· We recommend the use of a wet cloth and soft soap to maintain surfaces. The use of brushes, abrasive products, or any other materials such as steel-wool pads or products in aerosol metal containers can damage niche surfaces.

Important: Remove soap and cosmetic residue as well as excess water between uses. prolonged exposure to certain products may leave marks on the surface.

For stainless steel finish

- The use of microfiber cloths is recommended.
- Use cleaners for stainless steel only.
- To prevent corrosion, avoid any contact with steel accessories

For powder coated finish

- Use conventional non-abrasive cleaners.
- Avoid contact with nail remover, depilatory cream and paint solvents.

For more information

- visit betterbathrooms.com
- email customerservices@buyitdirect.co.uk
- call 0330 390 3062
- write to Trident Business Park, Neptune Way, Huddersfield, HD2 1UA

better 
bathrooms

Part of the BuyItDirect Group